

From the Prez.

Well, by the time you read this, we will be halfway through February with only about 5 weeks before Spring is sprung. All those chores and improvements that were being planned for this off-season must be well on their way so that all our rides are ready for the Spring Cruise.

Our Social Committee, discretely directed by Wendy, has been busy and has prepared a full social schedule for the year, with several events already completed, very successfully. Once again, I must repeat myself to state that the social events are planned with everyone in mind. All are welcome and if you don't participate YOU lose. In addition to our own events, there are numerous other events conducted by other clubs and organizations, which we try to include in our "Other Events" calendar.

These past few months have been fairly busy for the Executive, and as you were informed at the February meeting, the following has been accomplished:

- The **Niagara Corvette Club Incorporated** received approval on December 8, 2006. We are finalizing some revisions in our by-laws to comply with Ministry requirements. This should all be completed by our March meeting.
- We have in place insurance coverage for our club with the \$5 million General Liability and \$2 million in Directors & Officers insurance. On March 20, we will need to renew this insurance for another 12-month period.
- We have received membership cards from the National Association of Antique Automobile Clubs of Canada Corporation. Along with the membership cards, we have received discount codes for use with Best Western Hotels and Avis Rent-a-car, as well as a 10% discount with Mark's Work Wear House.
- Preliminary work on the July Car Show is well underway and sponsor packages were handed out at the February meeting.

We have also maintained contact with Quad C, and it appears that Terry, Stu and the new executive have accomplished quite a bit to correct the past practices of that organization. We wish them all the best in their continued efforts to improve. Although we are no longer members of Quad C, it would benefit us all if we make an effort to support the events put on by their member clubs; they are all fun folks with similar interests to ourselves and besides, if we want them to support our efforts, it is necessary to reciprocate.

The Niagara Corvette Club is here to provide fellowship for Corvette owners and this can only be accomplished if we volunteer and participate. If you have an idea for a social event, present the preliminary outline to Wendy. If you would like to submit an article to the newsletter, forward it to Diane. If you have a beef with anything that we are doing, please let me know. We can only improve through change and sometimes this may come from well-intentioned criticism, so SPEAK UP.

Also, any member that owns and/or operates their business, wishing to advertise to the club membership, should submit copies of your business card to Diane Metcalf to be included in the newsletter, free. By the same token, our members should support the businesses of our club members as well as our Show Sponsors.

A reminder: All membership renewals were due at the February meeting. The Executive have agreed to provide a period of grace for one month, but if our Treasurer has not received your renewal by the March meeting, this is the last newsletter that you will be receiving. Also, our by-laws state that if you are late in renewing, you are liable for a \$10 surcharge upon renewal. Again, for the handful that have not renewed, you have an extra month of grace but this will expire as of March 7, 2007.

Let's enjoy the social activities, without our beloved Corvettes, until the warm weather is finally here.



Happy Corvetting and remember to Save the Wave!

George



"Build Your Own" Coupe or Convertible Raffle

Only 2,007 tickets are being sold on a "Build Your Own" Coupe or Convertible Corvette – and you can build it your way choosing from current factory colors and options!

Tickets are available at \$100 each and our winner will be drawn on Friday, May 4. This exciting raffle excludes the Z06 option – and our winner need not be present to win. Find out more and order your ticket online at: <http://www.corvettemuseum.com/raffle/index.shtml> or by calling us at: (800) 53-VETTE.

A Note From the Editors

Happy Valentine's Day to the members, it is not long to **Spring** just 6 more weeks.

February



We would like to ask any of the new members if they would like their newsletter e-mail to them to let us know. Also we would like to receive business cards for we are updating our advertisement page for our members. Please forward them to Bruce or myself.

Also we hope to see some of are new members and the regular members out to some of the social events that are upcoming it takes great effort on both the organizer and the participants for a fun time to be had by all.

We also wish our best to George our President for he has under gone some surgery and wish him all the best to a quick recovery.

Diane and Bruce



Happy Birthday this month!

Harold Stubbert

George Watt



2007 Newsletter Submissions

Your ideals and contributions for the newsletter are very much welcome.

Submissions of articles can be e-mail, fax, or hardcopy formats.

The deadlines for monthly submissions are:

<u>Issue</u>	
March	March 14
April	April 11
May	May 9

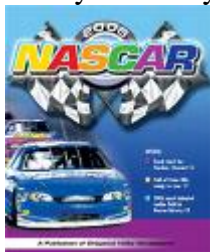
13 Reasons' to Smile

Sunday February 18th @ 1:00

Nascar

@ Lindberg's
5066 Netherby Road
Stevensville

Call for Directions
905-382-2656
Wendy or Denny



- 1) Now that food has replaced sex in my life, I can't even get into my own pants.
- 2) Marriage changes passion. Suddenly you're in bed with a relative.
- 3) I saw a woman wearing a sweat shirt with "Guess" on it. So I said "Implants?" She hit me.
- 4) A good friend will come and bail you out of jail...but, a true friend will be sitting next to you saying, "Wow...that was fun!"
- 5) I signed up for an exercise class and was told to wear loose-fitting clothing. If I HAD any loose-fitting clothing, I wouldn't have signed up in the first place!
- 6) When I was young we used to go "skinny dipping," now I just "chunky dunk."
- 7) Don't argue with an idiot; people watching may not be able to tell the difference.
- 8) Wouldn't it be nice if whenever we messed up our life we could simply press 'Ctrl Alt Delete' and start all over? AMEN, AMEN !!
- 9) Why is it that our children can't read a Bible in school, but they can in prison.
- 10) Wouldn't you know it...
Brain cells come and brain cells go, but FATcells live forever.
- 11) Why do I have to swear on the Bible in court when the Ten Commandments cannot be displayed outside?
- 12) Bumper sticker of the year:
"If you can read this, thank a teacher -and, since it's in English, thank a soldier"
And remember: life is like a roll of toilet paper. The closer it gets to the end, the faster it goes.

HIGHLIGHTS FROM THE FEBRUARY MEETING

Date: Tuesday, February 6, 2007

Attendance: 34

Wilf Chaired the meeting in George's absence.

- The NFL Party at the Bas' was a great success. Thanks to Wendy & Jake.
- Incorporation – we are now officially the Niagara Corvette Club Incorporated as of December 8, 2006.
- Insurance – The club has 3rd party liability for \$5 M, along with \$2 M Director and Officer insurance. This will have to be renewed on March 20, 2007.
- NAAACCC Membership – We have cards to NAAACCC. Paid members can pick up membership cards from Helen Lecours. Others can get cards from Gloria as they pay their membership. Cards included discount codes for Best Western Motels & Avis rent-a-car. Members also receive a discount card from Marks Work Wearhouse that is good for a 10% discount on their merchandise.
- A tentative date of June 2nd. is set for our annual car wash. We need volunteers and will discuss it again at the next meeting.
- Quad C Report. – They are back on track. Sudbury Club will probably rejoin Quad C. NCC will wait for a year as was previously decided.
- Members were reminded to take their CCCC decals off of their cars.
- The GM Engine Plant Open House and Car Show is scheduled for August 10.
- Dave Drake is to meet with Tom Wills re our participation at their show.
- Gloria did a comprehensive report of our finances over the past year. Anyone with questions can contact her.
- Sign up sheets were available for the following:
 - February 18, 1:00 pm – NASCAR Party @ Lindbergs – Wendy Lindberg
 - March 3, 9:30am – Sugar Bush and Pancake Breakfast – Wendy Bas
 - March 10, dinner 5pm - Club Bowling Night @ Parkway Lanes – Leslie Daudelin
- Sponsor packages are available from Gloria. Sponsor money will go to Gloria this year. Door Prizes to Marilyn
- Mike Camillo is checking into getting 105.7, Michelle Cruise, to broadcast from the show.
- Dave Drake is looking into us selling event t-shirts.
- Any member wanting their business card in the newsletter should submit it to Diane ASAP.
- Tom Spence is checking on a date for a tour of DSE.
- Bill Colclough will now be looking after the website.
- Harold Stubbert will post sale items for club members free on his website (905-685-1346)
- 50/50 tickets be sold for \$1 a ticket
- George has information on another Insurance Co. for older cars
- 50/50 winner of \$41 was John Mytroen
 - **Next Meeting: Tuesday, March 6, 2007 AT FRADO'S**

Calendar of Up Coming Events

February

2007

<i>Sun</i>	<i>Mon</i>	<i>Tue</i>	<i>Wed</i>	<i>Thu</i>	<i>Fri</i>	<i>Sat</i>
				1	2	3
4	5	6	7	8	9	10
11	12	13	14	15	16	17
18 NASCAR Party @ Lindbergs (1:00)	19	20	21	22	23	24
25	26	27	28			

March

<i>Sun</i>	<i>Mon</i>	<i>Tue</i>	<i>Wed</i>	<i>Thu</i>	<i>Fri</i>	<i>Sat</i>
				1	2	3 Sugar Bush & Pancake Breakfast (9:30)
4	5	6 NCC General Meeting - Frado's	7	8	9	10 NCC Bowling Night - Parkway Lanes (5:00/7:00)
11	12	13	14	15	16	17 Trivia & Potluck Party {unconfirmed}
18	19	20	21	22	23	24
25	26	27	28			



SUGAR BUSH TOUR

March 3rd

There will be a
Sugar Bush tour at
White Meadow Farms
On Effingham Road
At 9:15
Breakfast is served at 9:30 sharp
Pancakes, eggs, sausages etc.
Sold by the piece
You can eat as much or as little as you want
Cost is \$5.00/person a
And can last from 45 min up to 3hrs.
Contact: Wendy Bas if Interested.

2007 EVENT CALENDAR

		<u>NCC CLUB</u>	<u>Contact</u>	
Jan.	2 21	NCC General Meeting - Frado's NFL Party - Bas Farms (3:00)	Wendy Bas	Port Colborne
Feb.	2 6 18	Dinner at Kelsey's (6:30) NCC General Meeting - Frado's NASCAR Party @ Lindbergs (1:00)	Wendy Bas Wendy Lindberg	Stevensville
Mar.	3 6 10 17	Sugar Bush & Pancake Breakfast (9:30) NCC General Meeting - Frado's NCC Bowling Night - Parkway Lanes (5:00/7:00) Trivia & Potluck Party {unconfirmed}	Wendy Bas Leslie Daudelin	St. Catharines
Apr.	3	NCC General Meeting - Frado's		
May	1 6 26	NCC General Meeting - Frado's Spring Cruise with WNYCC Lunch @ Hernder's Winery & Cruise NCC Car Wash Day @ Kala's (9:00 AM)	Wendy Bas George Dalbergs	St. Catharines
Jun.	5 16 16 8-10 23 23	NCC General Meeting - Frado's 3rd Annual NCC Road Rally (12:30) Barbeque Fleetwood Farm Car Show NCC TRACK DAY (10:00 - 5:00) Sudbury CC Show & Shine Mini cruise & sunset with Hot Dogs	Larry Schmor Roger Copeland Wilf Seniuk Klaus Reif George Jack Hill	London Dunnville Sudbury
Jul.	3 1 or 8 14 22	NCC General Meeting Scavenger Hunt & BBQ @ Daudelins Downtown Classic Car Show (10:00) Progressive Dinner NCC CAR SHOW - Show & Shine	George Dalbergs Leslie Daudelin Gloria Drake	St. Catharines Reif Winery
Aug.	4 7 11 18 24-26	Vette Together @ Bas Farms NCC General Meeting - Frado's Wills Super Chevy Showdown - Club Display (10:00) GM Engine Plant Tour - Corvettes, etc. Pool Party & BBQ @ Wilkinsons Corvettes @ Carlisle Wings & Wheels - Niagara District Airports	Wendy Bas George Dalbergs George Dalbergs Glennie Wilkinson Leslie Daudelin Wilf Seniuk	Port Colborne Grimsby St. Cath. St. Cath. Carlisle, PA Virgil
Sep.	4 7 22	NCC General Meeting - Frado's Lincoln County Fair Cruise Night (6:00) Track Day (10:00-6:00) Sunset Cruise from Palmwood (4:30)	George Dalbergs Klaus Reif Wendy Bas	Beamsville Dunnville Crystal Beach
Oct.	2 7 27	NCC General Meeting - Frado's Fall Cruise & Poker Run - Gateway Halloween House Party @ Marquis'	Dave Drake	St. Catharines Grimsby Niagara Falls
Nov.	6 24	NCC General Meeting - Frado's NCC Christmas Dinner	John Gibbons	
Dec.	4	NCC Social Evening (6:30) - Ricki Jos		St. Catharines

2006 EVENT CALENDAR

OTHER EVENTS

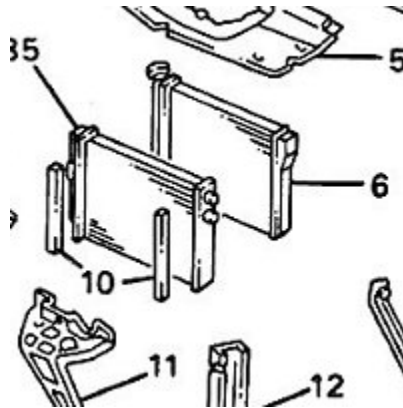
				Jul.	Canal Fest @ Lock 8 Park PRCC Golden Mile Cruise Night Main Street BIA Show Classic Car Show - downtown Pine Ridge CC Show & Shine (2:00 PM) Solo II /Slalom Series - Corvette Invitational 35th Black Hills Corvette Classic SCC Corvette Show & Shine @ Crosstown Chev Classics on Kent Cars in Ruthven Park SCCA Glen Nationals Molson Indy CSRA Rod & Custom Nationals - CANATS 2007 IHRA AC Delco Canadian Nationals 2nd Annual Telephone City Car Show	Port Colborne Toronto Midland St. Catharines Toronto Bronte Sioux Falls S.D. Sudbury Lindsay Cayuga Watkins Glen, NY Toronto Markham Cayuga Brantford	
Feb.	14	Canadian International Auto Show	Toronto				
	18	Automotive Swap Meet - Event Centre	Tillsonburg				
Mar.	9-11	Performance World - International Trade Centre	Mississauga		27-29		
	24-25	Wilson-Niblett Tech Session National Motorcycle Show - Automotive Bldg. Rodmasters Swap Meet	Richmond Hill Toronto Ancaster				
Apr.	18-22	Lowes Motor Speedway Spring Lions Autofair	Charlotte NC	Aug.			
	20-21	RM Spring Classic Car Auction	Mississauga				
	22	CCO Tech Session - Gateway Chev Olds Spring Carlisle Spring Auction @ Carlisle Automotive Flea Market Car Show & Swap Meet - Road Runners	Brampton Carlisle PA Carlisle PA Virgil Ancaster			Classic Cruisers Car Show Dunnville Slowpokes Super Cruise/Car Show - Sobeyes COSO Simcoe Show & Shine @ Lynnwood Park NEXTEL Cup @ the Glen Bothwell Car Show Nostalgia Drag & Car Show Kinsmen 8th Annual Car Show Cruise Night @ Brant Park Conservation Area Super Cruise Night Woodward Dream Cruise WBCC Beach Cruize 2006 Solo II /Slalom Series 15th Annual Jarvis Cornfest Car Show Scrape by the Lake - 2006 CKOC Dream Cruise 4 @ Bayfront Park Meridian CU Cruise On In - Queenston Heights Park Hot August Blast 13th Annual Autofest 2006 @ GM Road Runners 50th Anniversary Cruise & Dance American LeMans Series - Mosport Park	
May	12	Solo II /Slalom Series 4th Annual Car Show & craft show Car Show & Swap Meet / Cruise with Car Truck Auction Olcott Beach "To Start" Super Cruise Golden Triangle CC - Corvette Day 2nd Annual Classic Car Show & Shine - Valley Park Festival of Cars CAH Corvette Show & Shine @ Holland Chev NCRS Ontario Chapter judging meet Waterdown Spring Swap Meet & Car Show Classic Car Show @ the Festival Theatre	Bronte Binbrook Caledonia Olcott Beach NY Waterloo Stoney Creek Lake Placid NY Burlington Oakville Waterdown Stratford		24-26	Sudbury Dunnville Simcoe Watkins Glen Bothwell Lancaster NY N-O-T-L Brantford Elora Detroit, MI Wasaga Beach Wasaga Beach Jarvis Charles Daley Park Hamilton Niagara Falls Hamburg, NY Oshawa Ancaster Mosport	
Jun.	7-11	Spring Barrie Automotive Flea Market - Burl's Creek Park	Barrie	Sep.	6-9	37th Annual Fall Barrie Automotive Flea Market Zippo U.S. Vintage Grand Prix Solo II /Slalom Series Lowes Motor Speedway Fall Lions Autofair Mid America Funfest PRCC Summers End (9:00 AM) Corvettes for Kids Road Tour - (8:00 AM) 19th Annual Harvestfest & Car Show @ Quance Dam 33rd Annual Car Show & Swap Meet Waterdown Swap Meet & Car Show Last Chance Custom Car Show & Swap Meet Fall Carlisle	Barrie Watkins Glen NY Bronte Charlotte, NC Effingham IL Pickering Mississauga Delhi Paris Waterdown Welland Carlisle, PA
	8-10	14th Annual Hillfest @ Wilson Niblett	Richmond Hill				
	17	Ontario Camaro Nationals Fleetwood Farms Country Cruize-in Rods & Relics Car Show @ the Racetrack Corvette Club of Windsor Waterfront Show Show & Shine @ Arpad Park Wasaga Car Show COD 5th Annual Dream Vettes & All GM Show 19th Annual Father's Day Car Show Solo II /Slalom Series COWO Vette Fest @ Anderson's GM Village Niagara Auto Swap Meet & Car Show Corvettes on Sunday, June 25 CCO Gateway to Corvettes - Gateway Chev Olds.	St. Catharines London Fort Erie Windsor Niagara Falls. Wasaga Beach Oshawa Georgetown Bronte Woodstock Lockport NY Brampton	Oct	3-7 5-6 Fall Carlisle Fall Auction @ Carlisle Solo II /Slalom Series 18th Annual Fall Auto Flea Market & Cruise RM Fall Classic Car Auction SVAO Annual General Meeting Ancaster Swap Meet - Marritt Hall SEMA Show	Carlisle, PA Carlisle, PA Bronte Paris Mississauga Brampton Ancaster Las Vegas	
				Nov.		SEMA Show 2006 Fall Caledonia Swap Meet Wheel World - Fallsview Casino Niagara	Las Vegas Caledonia Niagara Falls

Overheating ~ Rubber Sealing Strips

A/C Condensor Sealing

Contributed by Mike Metzler

A possible contributor to overheating on these third gen cars was brought to my attention by Mike Metzler (Desert86Roc). Upon viewing the area where his A/C condenser tries to meet the radiator support he noticed it appeared some type of seals were missing indicated by the remaining adhesive and gaps. Normally, there are square, rubber strips with an adhesive on one side that fill these gaps. After a few years, they shrink, the adhesive fails, and the strips blow out through the engine compartment, with the owner never knowing they were there.. In the diagram show below they are indicated by ID #10. Good time to note that this repair was done on an 86 Camaro, however other cars have possibly a similar setup.



Mike used some cut-to-length foam rubber pipe insulation from Lowes or any hardware store costing about \$2.50. He loosened the top radiator support, placed insulation to fill the gaps, and bolted it all back down.

American Le Mans Series 2007 Schedule

The American Le Mans Series has released a 12-event schedule that features new races in St. Petersburg, FL; Long Beach, CA and Detroit, MI. Corvette Racing will be participating in all 12 races plus the 24 Heures du Mans – June 16 and 17. Stay tuned to NCM eNews for information on each race and how you can be a part of the exciting Corvette Racing Corrals!

2007 American Le Mans Series Schedule

March 17, Mobil 1 Twelve Hours of Sebring, SPEED

March 31, St. Petersburg, SPEED

April 14, Long Beach, SPEED

April 21, Houston, CBS Sports

May 19, Salt Lake City, CBS Sports

July 7, Lime Rock Park, CBS Sports

July 22, Mid-Ohio, CBS Sports

August 11, Road America, NBC Sports

August 26, Mosport, SPEED

September 1, Detroit, SPEED

October 6, Road Atlanta/Petit Le Mans, SPEED

FOR SALE

February, 2007

CORVETTE PARTS:

63 BOW TIE MIRROR PART # 3821956 /LONGBASE	\$25
NOS EXHAUST PIPES PART # 3740295, QTY 2	\$20
BATTERY COVER	\$25
CAR COVER / COTTON	\$50
OE STAINLESS LICENSE PLATE FRAMES / PAIR	\$40
OE 1962 SEAT COVERS RED EXCELLENT CONDITION	\$40
UPPER RAD CUSHIONS 63/72	\$20
4 QTS BLACK LACQUER PAINT RM	\$40

MANUALS & BOOKS:

84-93 PARTS & ILLUSTRATION CATALOGUE	\$10
66 BODY MANUAL, FISHER	\$20
62 SHOP MANUAL	\$20
ROCHESTER FUEL INJECTION MANUALS	\$50
THE BEST OF CORVETTE RESTORER 1953 /1967	\$35
THE REAL CORVETTE, GREAT REFERENCE BOOK 53-75	\$20
1969 / 1970 OVERHAUL MANUAL	\$20
1969 / 1970 SERVICE MANUAL	\$20
CORVETTE AMERICAS STAR SPANGLED SPORTS CAR, 1ST EDIT \$10, 2ND EDITION	\$20
CORVETTE AMERICAS SPORTS CAR, EDITORS OF CONSUMERS GUIDE	\$45
CORVETTE/AMERICAS SPORTS CAR (AUTHORS OF CONSUMERS GUIDE)	\$25
CORVETTE CATALOGUES (PIC OF SALES BROCH & PROMO MAT '53-90)	\$35
CORVETTE 1953 TO THE PRESENT, RICHARD NICHOLS	\$25
CHEVROLET CORVETTE SUPER CARS, PHILLIP BINGHAM	\$25
CORVETTE THE ENDURING LEGION	\$25
"CALIFORNIA SCREAMING" GLORY DAYS OF CORVETTE ROAD RACING	\$25

COLLECTABLES:

18 VOLUME SET, LIMITED EDITION "CORVETTE THE SENSUOUS AMERICAN" \$500
CORVETTE AMERICAS ONLY / LTD EDITION 2881/7500 INCL ABOVE!
COMES COMPLETE WITH POSTER

FRANKLIN MINT CORVETTE COLLECTION 53/57/63/68/86. (SOLD AS SET ONLY) \$500.
COMPLETE WITH ORIGINAL BOXES PACKAGING, TAGS, POSTERS, & PROMO BOOKLET

NO REASONABLE OFFERS REFUSED / TERRY ORR @ 905- 689-3847

E mail : terene@sympatico.ca

February, 2007

Corvette Factory Posters / May be your last chance to purchase!

“A reflection of perfection” approx 3 ½ x 5 ft, 53 vet/ Beakys	\$40
35th Anniversary: 1957 – 1992, Rochester Fuel Injected Vet /rare	\$40. collectable
“Special Edition” Millionth Vet Built July 2, 1992 One <u>Only</u>	\$40
“GET VETTE” Yellow Roadster in swimming pool (1987)	\$5
“VETTE YOUR APPETITE” White Coupe (1989)	\$5
“Mirror Mirror” Mirror images of Silver anniversary & Race car	\$5
Evolution of the Real McCoy 1953 to 1973 with build #s	\$10
Blue 1967 B/B coupe of (N CAGE) by Dupont	\$20

Corvette Racing posters:

“Desert Thunder” November 1992 / 40th anniversary kick off Calif.	\$25
Morrison Cook / SCCA Champion ship / Endurance winning vet	\$20
“Beware of the Red Bow Tie” SCCA / Endurance “it take one to beat one”	\$20
Greenwood Corvette / Sebring 75 @ Daytona	\$20
Tribute to Mark Donohue / Penske at the Glen Historics	\$20

Misc items:

The Fastest 50 years of Corvette 2 DVD’s & Bonus Music CD	\$45
The Story of Corvette VHS	\$10
Corvette VHS	\$10
Dale Earnhardt Chevrolet Newton N.C License plate	\$20

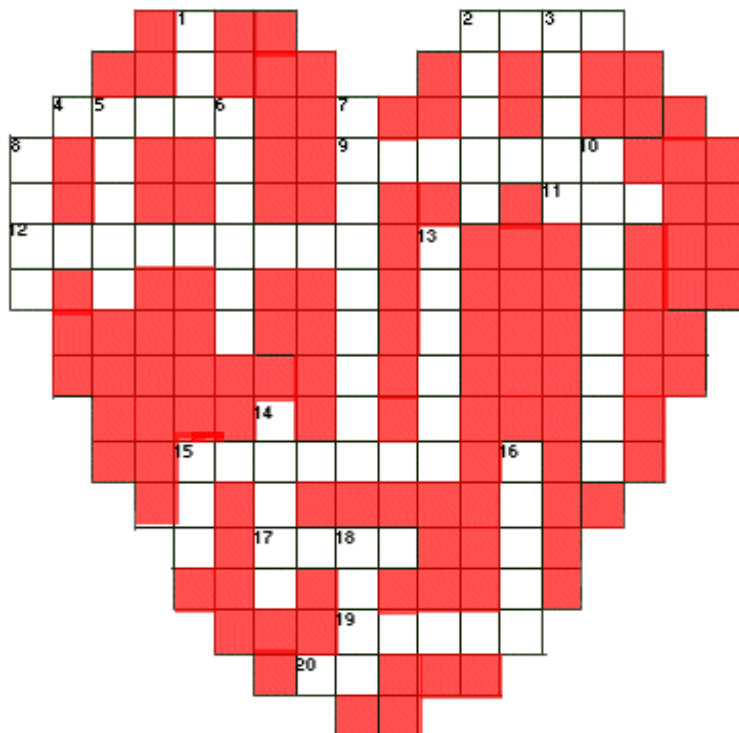
**NCRS / Key Tag, Window stickers, National Corvette Museum sticker,
ZR1 Registry stickers, GM Emergency Door & Ignition key set.
Corvette Emergency door key & holder, 350hp engine stickers, coolant tank sticker.**

Misc posters:

Early Poster / Dale Earnhardt	\$20
Joe Amato Top Fuel Dragster/ signed	\$5
Bobby Rahal & Miller Lite / female Pit Crew	\$5
1990 Molson Indy Team Camaro	\$5

Fun Stuff

- A successful man is one who makes more money than his wife can spend.
A successful woman is one who can find such a man.
- Before marriage, a man yearns for the woman he loves.
After marriage, the "y" becomes silent.
- When a newly married couple smiles, everyone knows why.
When a ten-year married couple smiles, everyone wonders why.
- My wife told me I should be more affectionate.
So I got two girlfriends.
- A husband said to his wife, "No, I don't hate your relatives. In fact, I like your mother-in-law better than I like mine."



Across

2. Many people give or send one to friends on Valentine's Day.
4. Another term for sweets that are given on Valentine's Day.
9. Sometimes on Valentine's Day, a secret _____ will give you an anonymous present.
11. If you don't get any Valentines, you might do this into your pillow.
12. Herseys is one kind of this type of candy.
15. Roses, carnations, and daisies are these.
17. When you really, really like someone, you ____ them. Also you _____ your parents.
19. If you give someone a treat on Valentine's Day, it usually is this. This word is also used in the expression "_____ Heart", a nickname husbands and wives call each other.
20. This expression is often said on Valentine's Day: "___ Mine"

Down

1. The color of hearts on Valentine's Day.
2. The fictional character that shoots arrows at people.
3. These flowers come in many colors, but usually red ones are given on Valentine's Day.
5. What cupid shoots at some poor unsuspecting person, that makes them fall in love.
6. If you want to give a friend roses, you would give them this color.
7. The name of this holiday!
8. Doilies are usually made out of this material.
10. Moms and Dads may want to get away for a _____ dinner or weekend.(mushy, mushy, mushy)
13. One of the shapes used often on Valentine's Day is _____ (plural).
14. These are made out of paper or material that are lacy.
15. The abbreviation for the month that Valentine's is in.
16. The man that this holiday is named after is, _____ Valentine.
18. If you get flowers for Valentine's Day, you will want to have one of these to keep them in.

© Original Artist
Reproduction rights obtainable from
www.CartoonStock.com



IF YOU'RE GOING TO SEND MESSAGES ON
THE OFFICE INTRANET MAKE SURE YOU
KNOW WHO'S GOING TO GET THEM